

**ebm-papst St. Georgen GmbH & Co. KG**

Hermann-Papst-Straße 1

D-78112 St. Georgen

Phone +49 7724 81-0

Fax +49 7724 81-1309

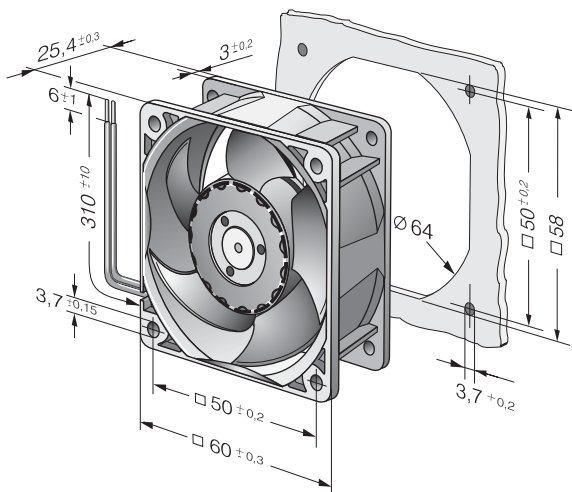
info2@de.ebmpapst.com

www.ebmpapst.com

**Technical features**

<b>General description</b>	<p>Particular design features:</p> <p>Rigid compression curve for high air flow at high counterpressure.          Motor has very low structure-borne noise.          Innovative impeller with winglets for low noise.          Control inputs and alarm and speed signals available on request.</p> <p>General features:</p> <p>Material: fibreglass-reinforced plastic. Impeller PA, housing PBT.          Electronic commutation completely integrated.          Protected against reverse polarity and locking.          Connection via single strands AWG 22, TR 64, bared and tin-plated.          Air exhaust over bars. Rotational direction clockwise looking at rotor.          Mass: 85 g.</p>
<b>Mass</b>	0.085 kg
<b>Dimensions</b>	60 x 60 x 25 mm
<b>Material of impeller</b>	Fiberglass-reinforced PA plastic
<b>Housing material</b>	Fiberglass-reinforced PBT plastic
<b>Direction of air flow</b>	Air exhaust over bars
<b>Direction of rotation</b>	Clockwise, looking at rotor
<b>Bearing</b>	Ball bearings
<b>Lifetime L10 at 40 °C</b>	52500 h
<b>Lifetime L10 at maximum temperature</b>	32500 h
<b>Connection line</b>	Single strands AWG 22, TR 64, bared and tin-plated.
<b>Motor protection</b>	Protected against reverse polarity and locking.

## Product drawing



## Charts: Air flow

